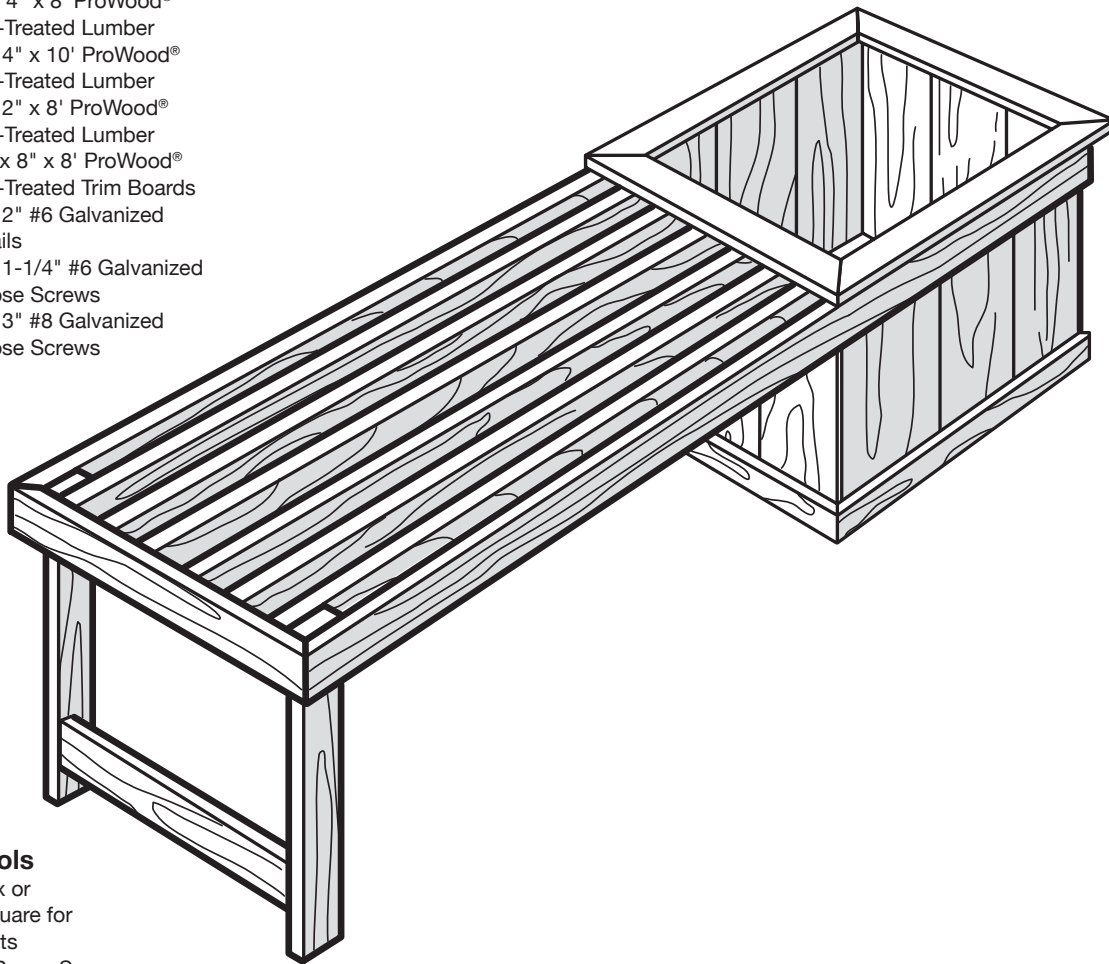


BENCH SEATING WITH PLANTER BOX

With ProWood® Professional Grade pressure-treated lumber, expand your backyard seating and enhance its beauty with a combination bench/planter box.

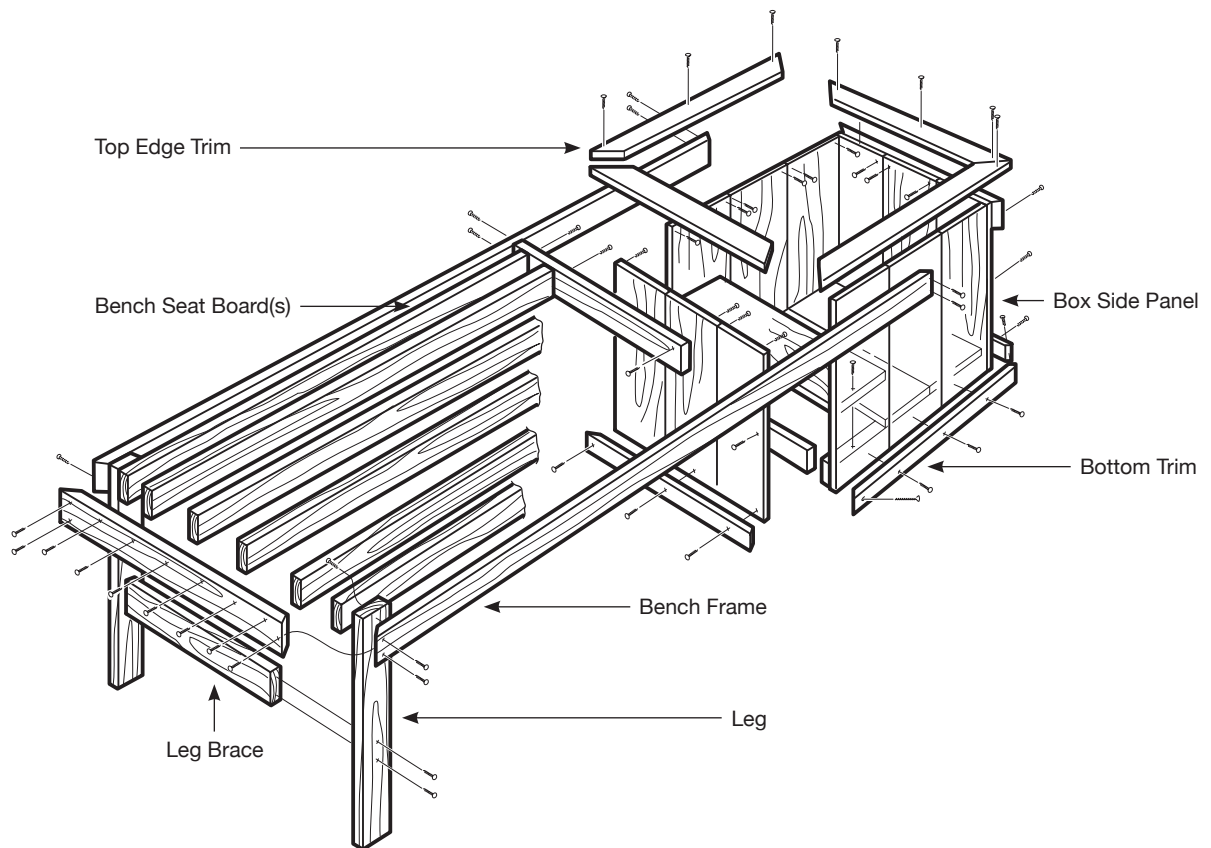
Materials

- Nine 2" x 4" x 8' ProWood® Pressure-Treated Lumber
- One 1" x 4" x 10' ProWood® Pressure-Treated Lumber
- One 1" x 2" x 8' ProWood® Pressure-Treated Lumber
- Three 1" x 8" x 8' ProWood® Pressure-Treated Trim Boards
- One Box 2" #6 Galvanized Finish Nails
- One Box 1-1/4" #6 Galvanized All-Purpose Screws
- One Box 3" #8 Galvanized All-Purpose Screws



Basic Tools

- Miter Box or Angle Square for Angle Cuts
- Circular Power Saw
- Drill and Drill Bit
- Tape Measure
- Hammer
- Screwdriver



Cut the Lumber to Size

Caution: Always wear gloves, a dust mask and eye protection when sawing, sanding or machining wood.

Bench Assembly

Using a circular saw, cut the boards for the bench assembly.

- Start by cutting two 2" x 4" x 8' ProWood® boards into two 7' side panels.
- Next, cut six 2" x 4" x 8' ProWood® boards into six 55-1/2" bench pieces, which will leave six 40-1/2" long pieces left over.
- Cut two of these to 25-1/2" for the end pieces of the bench.
- Cut two more pieces into two 18" legs.
- Cut one piece into a 22-1/2" bench inset.
- Cut the remaining piece into a 19" leg cross support.

Planter Box

Now cut the boards for the planter box.

- Cut the 1" x 4" x 10' ProWood® board into two 25-1/2" and two 27" top trim pieces.
- Cut a 1" x 2" x 8' ProWood® board into two 23-1/2" and two 25-1/2" bottom trim pieces.
- Cut each of the three 1" x 8" x 8' ProWood® boards into four 18" side panel pieces and one 20-1/2" bottom piece—for a total of twelve 8' long side panel pieces and three 20-1/2" bottom pieces.
- Finally, cut one 2" x 4" x 8' ProWood® board into two 22" cleats and two 17" cleats for the inside bottom of the box.

Build the Box Side Panels

- Use the 17" long and 22" long cleats you just cut to hold the 1" x 8" boards together as you assemble the side panels of the planter box.
- Remember to always attach each cleat flush with the bottom of each side piece and centered over the width of the panel's boards.
- Also, keep in mind which side of the wood will face outward. You want to keep its "best" side visible. Refer to the illustration above.

The First Two Side Panels

- Take one of the 17" cleats and attach it to the bottom of three 1" x 8" x 18" side pieces with 2" 6d galvanized finish nails. The side pieces should be held together to form a solid panel with the 17" cleat centered side-to-side along the bottom edges.
- Repeat this process with the other 17" cleat and three more side pieces to form the second panel.

The Second Two Side Panels

- Next, take one of the 22" cleats and attach it to the bottom of three 1" x 8" x 18" side pieces with 2" 6d galvanized finish nails. The side pieces should be held together to form a solid panel with the 22" cleat centered side-to-side along the bottom edges.
- Repeat this process with the other 22" cleat and three more side pieces to form the fourth panel.

Make the Bottom of the Box

- Place the three 1" x 8" x 20-1/2" pieces side by side to form the bottom of the planter box.
- Attach a piece of scrap wood across all three bottom pieces to hold the bottom panel together. Use 1-1/4" #6 galvanized all-purpose screws to attach this cleat.
- Turn the bottom panel upside down, so that the cleat faces down and out of sight.

Put the Sides on the Box

- Center the two side panels with the 22" cleat on the bottom panel with the cut ends, so that the bottom panel boards touch the side panels.
- Slide the 22" side panel cleat under the bottom panel, so that the bottom panel rests on the cleat.
- Insert a nail through the bottom panel into the side panel's cleat.
- Place the side panels with the 17" cleat in place as the other two sides of the planter box. (The side panels with the 17" trim should touch the un-cut side of the bottom panel boards.) Set these side panels in place also using finish nails. All four box sides and the bottom should now be in place.
- Attach all four sides to the bottom panel by setting finish nails through the bottom panel into the bottom cleat.
- Screw the four box sides together with two 1-1/4" #6 galvanized all-purpose screws so that the top and bottom trim cover the screws.

Cut the Trim Angles

- All angles for the outside trim (both top and bottom) are 45-degree angles. Each joint is then 90 degrees. Use a miter box or an angle square to mark and cut 45-degree angles for each of the trim joints.
- For the trim on the outside face of the planter box (both top and bottom), the angles will cut through the 1" side of the trim piece.
- For the trim on the top edge (or rim) of the planter box, the angles will cut through the 4" side of the board.
- When both ends of a trim piece require angle cuts, make sure the angles are not parallel. Experiment by cutting angles in scrap wood first to help get the angles perfect.

Add the Bottom Trim

- Cut a 45-degree angle through the 1" side in both ends of two 23-1/2" trim pieces and four 25-1/2" trim pieces. Be careful not to shorten the longest edge of the trim piece when cutting this angle!
- Match the trim lengths with the side panels so that each corner will form a 90-degree joint between trim pieces.
- Once you have matched the trim pieces, attach the bottom trim to the planter box flush with the bottom of the planter box using 2" 6d galvanized finish nails.

Build the Bench Frame

- Cut each end of the two 2" x 4" x 7' and the two 2" x 4" x 25" boards to 45-degree angles so they make a 25" x 7' rectangular box with 90-degree joints.
- Position the boards to form this rectangle and attach them at each joint using 1" screws.

- Place the first two screws from one face of the angle (approximately 1" from the edge) and the third screw from the other face of the angle in the middle of the 2" x 4" board so that the screws do not hit one another.
- You now have the frame for the bench. Place this frame upside down on a flat surface, so that the "best" side of the 2" x 4" frame boards is facing down.
- Add the legs to the frame by attaching them to the 7' side boards at opposite corners inside one end of the frame. *Refer to the illustration on the previous page.*
- Attach the brace for the legs also using 1-1/4" screws. Center the brace on the legs between the bench frame and the end of the legs.

Build the Bench Seat

- Place a 2" x 4" x 55-1/2" bench support board inside the bench frame with the 4" side flat against the side of the bench leg and the end butted up against the 25" side of the frame.
- Screw the board to the bench frame end board and the bench leg. *Refer to the illustration on the previous page.*
- Repeat this process with a second 2" x 4" x 55-1/2" bench support board on the opposite bench leg.
- Space the four remaining 2" x 4" x 55-1/2" bench support boards evenly between the first two boards and attach with 1-1/4" #6 galvanized all-purpose screws to the 25" side of the frame that has the legs attached.
- Place the 2" x 4" x 22-1/2" bench inset inside the bench frame butting against the "free" ends of the bench support boards.
- Attach the first bench support board on each side to the bench inset board with 3" #6 galvanized all-purpose screws, using a 2" x 4" piece of scrap as a spacer to match the gap provided by the bench legs.
- Space the remaining four boards evenly between these and attach with screws.

Put the Bench on the Box

- Turn over the frame and seat piece so the assembly is right-side-up and supported on one end by the bench legs.
- Slide the opposite end over the planter box so that the two 7' long bench frame boards and the 22-1/2" long bench inset and end piece without legs become the top trim for four sides of the planter box.
- Make sure the top of these three boards are flush with the top board of the planter box.
- Attach with 1-1/4" #6 galvanized all-purpose screws.

Add the Top Edge Trim

- You should have two 1" x 4" x 27" and two 1" x 4" x 25-1/2" pieces left for the top edge trim. This trim covers the top edges of the planter box and bench frame.
- Each of the joints for this trim is also 45-degrees, but you will have to cut the angles differently. They must be cut through the 4" side of the piece. Keeping in mind the difference in the way the angle is cut, you can follow the instructions for "Adding the Bottom Trim" to attach the top edge trim. *Refer to the illustration on the previous page to see how this trim is attached.*

Safe Handling - Pressure treated with micronized copper azole. Never burn treated wood. Always wear a dust mask and goggles when cutting or sanding treated wood. Always wear gloves when working with treated wood. For detailed safe handling instructions go to ProWoodLumber.com/safehandling. 7094 11/12